

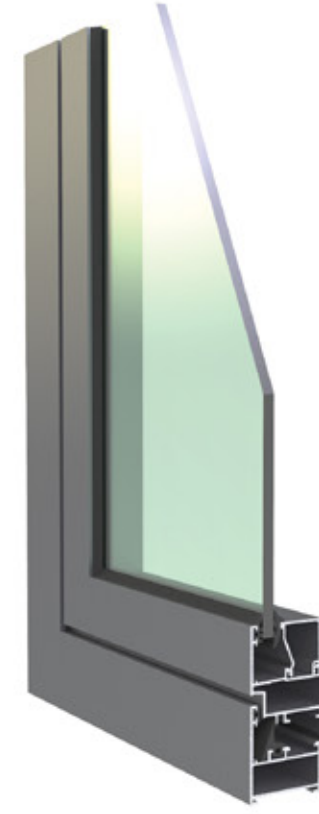
Project Name / Proje Adı : Donat İnşaat  
System / Sistem : AW40  
City / Şehir : Kayseri / TÜRKİYE



ALCAS®

# AW40

Alcas 40 mm Window-Door System  
Alcas 40 mm Kapı-Pencere Sistemi



## Descriptions / Tanımlamalar

		Profile type description Profil tip tanımlamaları	
A	Brand <b>ALCAS®</b>	Marka <b>ALCAS®</b>	F Frame Kasa
W	System Type Window	Sistem Tipi Pencere	M Meeting Rail Orta Kayıt
40	Series Length	Seri Geniřliđi	V Vent Kanat
F	Profile Type	Profil Tipi	A Adapter Adaptör
01	Group Location	Gruptaki Yeri	C Cover Kapak
			K Basalt Tekmelik
			G Glazing Bead Cam Çıtası

## Symbols / Semboller

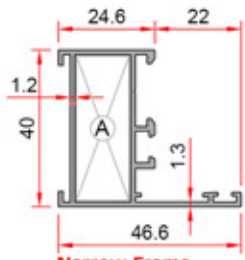
	Corner block assembly with 45° cutting process 45° kesim işlemi köşe takozu ile birleştirme
	Milling process of merging with the vertical connection Kertme işlemi dik bağlantı ile birleştirme
	Cross-sectional aspect of strength Mukavemet kesit yönü

**ALCAS®** Son tasarımı AW40 doğrama sistemi, çok sıcak iklim için rahatlıkla kullanılabilen ekonomik bir üründür.

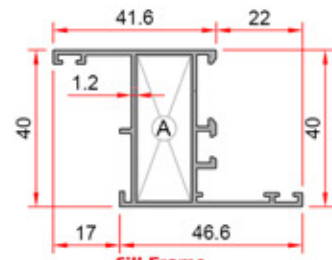
İç ve dışta EPDM contaları ile toz ve hava geçirimsizliğini sağlar, kasa ve kanattaki tahliye kanalları sayesinde sistem içerisine giren suları yüksek tahliye yeteneğine sahiptir. Sistem kasa ve kanat kesitlerinin küçültülmesi ile her konutta kullanılabilen ekonomik bir seridir.

Latest **ALCAS®** design AW40 window & door system is an economic solution for hot climates.

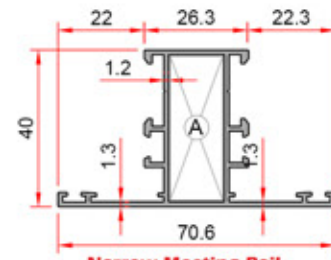
Dust and air insulation is ensured with inner and outer EPDM gaskets. With the evacuation channels on box and vent profiles it has high water evacuation ability. AW40 system is an economic serie to be used in every housing due to smaller box and vent sections.



**Narrow Frame**  
Dar Kasa



**Sill Frame**  
Pervaz Kasa

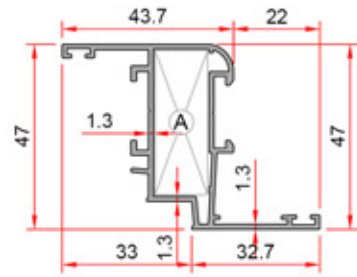


**Narrow Meeting Rail**  
Dar Orta Kayıt

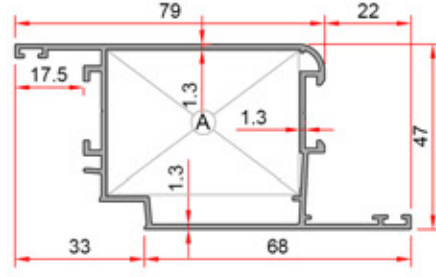
System Code	Profile No	Weight kg/m	
AW40 F 1201	2772	0.613	
Jxx cm <sup>1</sup>	5.6	Jyy cm <sup>1</sup>	2.4
	A	AKB-1328-37	

System Code	Profile No	Weight kg/m	
AW40 F 1202	1791	0.699	
Jxx cm <sup>1</sup>	8.5	Jyy cm <sup>1</sup>	2.6
	A	AKB-1328-37	

System Code	Profile No	Weight kg/m	
AW40 M 1201	2773	0.781	
Jxx cm <sup>1</sup>	6.8	Jyy cm <sup>1</sup>	5.8
	A	AKB-1328-37	
	A	AOB-1324-13.8	



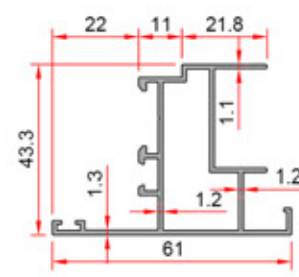
**Narrow Vent**  
Dar Kanat



**Door Vent**  
Kapi Kanat

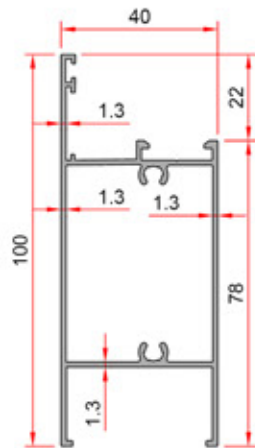
System Code	Profile No	Weight kg/m	
AW40 V 1201	2771	0.792	
Jxx cm <sup>1</sup>	11.4	Jyy cm <sup>1</sup>	2.8
	A	AKB-1328-37	

System Code	Profile No	Weight kg/m	
AW40 V 1202	1740	1.071	
Jxx cm <sup>1</sup>	10.4	Jyy cm <sup>1</sup>	30.8
	A	AKB-1963-37	



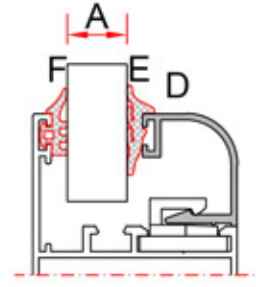
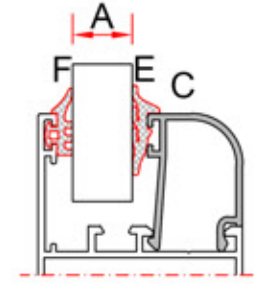
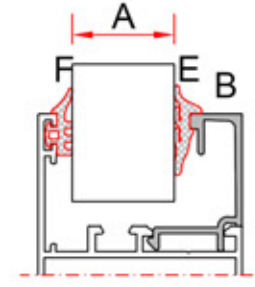
**Double Vent Adapter**  
Çift Kanat Adaptörü

System Code	Profile No	Weight kg/m
AW40 A 01	2774	0.741

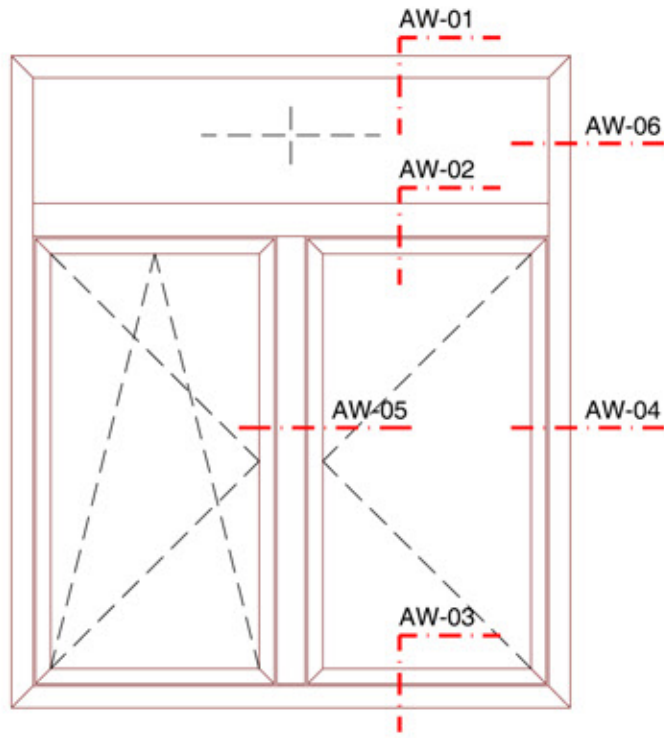


**Sill Profile**  
Etek Profili

System Code	Profile No	Weight kg/m	
AW40 K 1201	1741	1.099	
Jxx cm <sup>1</sup>	10.0	Jyy cm <sup>1</sup>	30.1

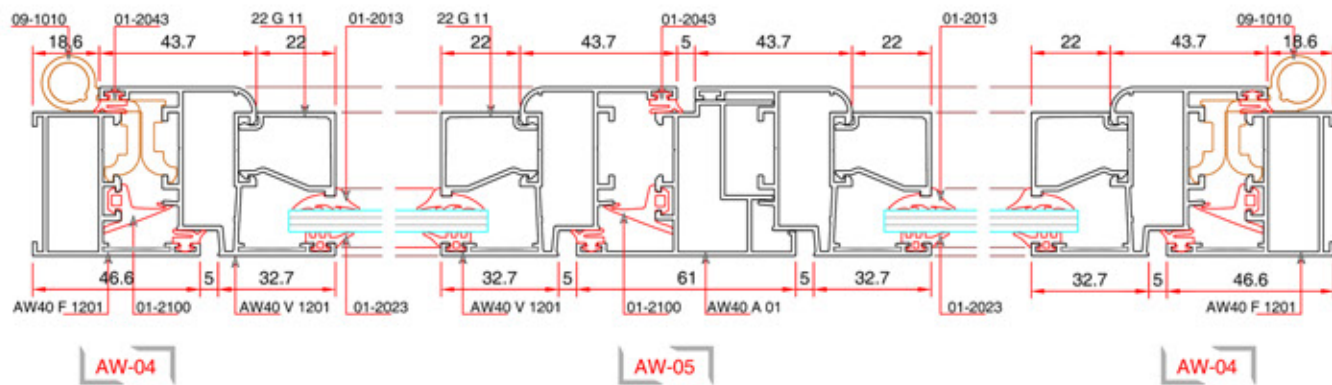
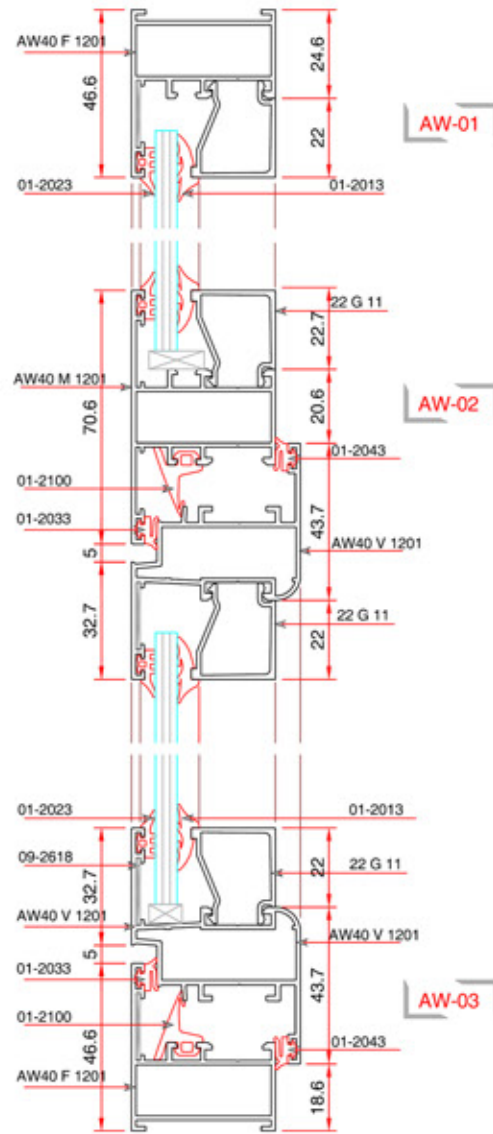
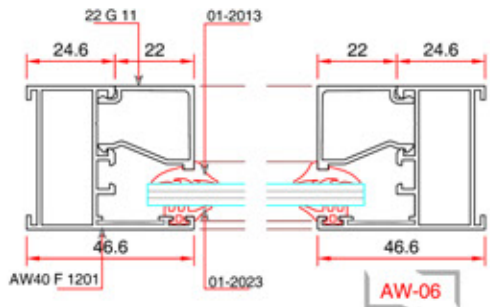


	A	B	C	D	E	F		
					<b>01-2013</b>  3-3.5 mm	<b>01-2005</b>  4-5 mm	<b>01-2023</b>  3 mm	<b>01-2027</b>  5.5 mm
20 mm		22 G 10			●		●	
19 mm		22 G 10				●	●	
18 mm		22 G 10				●	●	
17 mm		22 G 10			●			●
16 mm		22 G 10				●		●
15 mm		22 G 07			●		●	
14 mm		22 G 07				●	●	
13 mm		22 G 01				●	●	
12 mm		22 G 09				●	●	
11 mm		22 G 09			●			●
10 mm		22 G 02			●		●	
10 mm			22 RG 01	22 RK 01		●	●	
9 mm		22 G 02				●	●	
9 mm			22 RG 02	22 RK 02		●	●	
8 mm		22 G 03				●	●	
8 mm			22 RG 02	22 RK 02		●	●	
7 mm		22 G 11			●		●	
6 mm		22 G 11				●	●	
6 mm			22 RG 02	22 RK 02		●	●	●
5 mm		22 G 04			●		●	
5 mm			22 RG 02	22 RK 02		●	●	●
4 mm		22 G 08			●		●	
4 mm			22 RG 03	22 RK 03		●	●	●

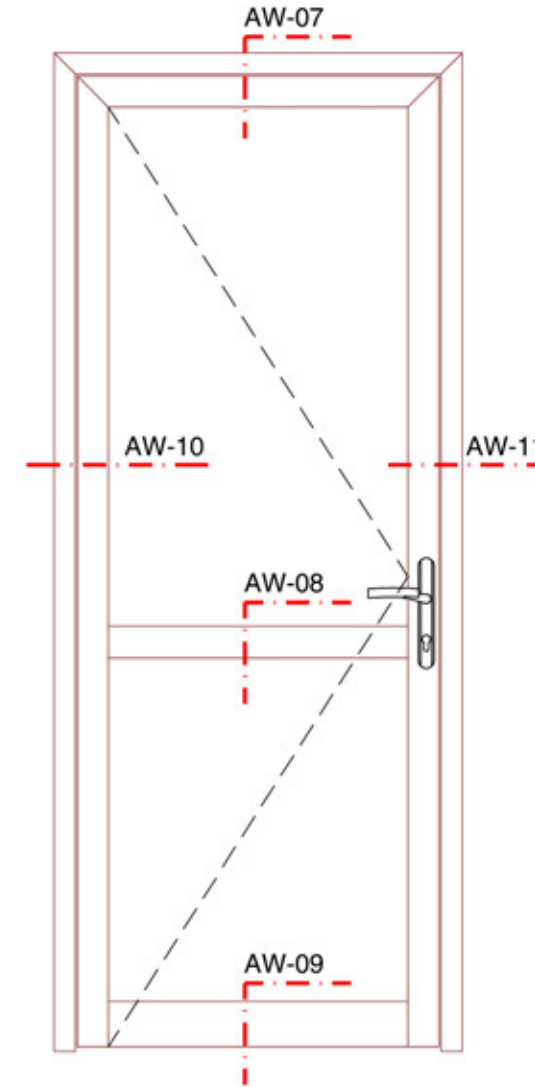


Exterior View - Dış Görünüş

<b>Double Axisvent Dimension</b> Çift Eksen Kanat Ölçüleri	Width / Genişlik 355-800 mm	Height / Yükseklik 500-1500 mm
<b>Double Axisvent Weight</b> Çift Eksen Kanat Ağırlığı	Max. 50 Kg	
<b>Glass Thickness</b> Cam Kalınlığı	Max. 20 mm	

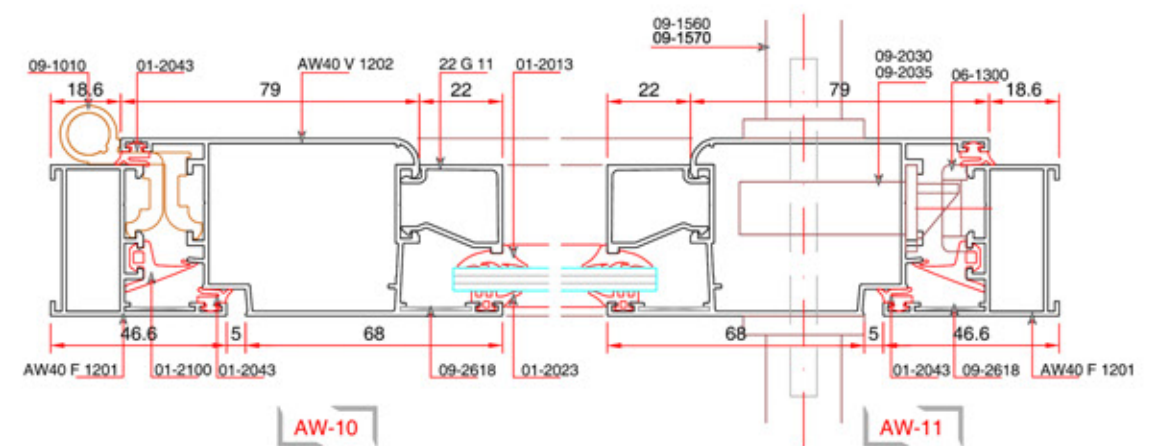
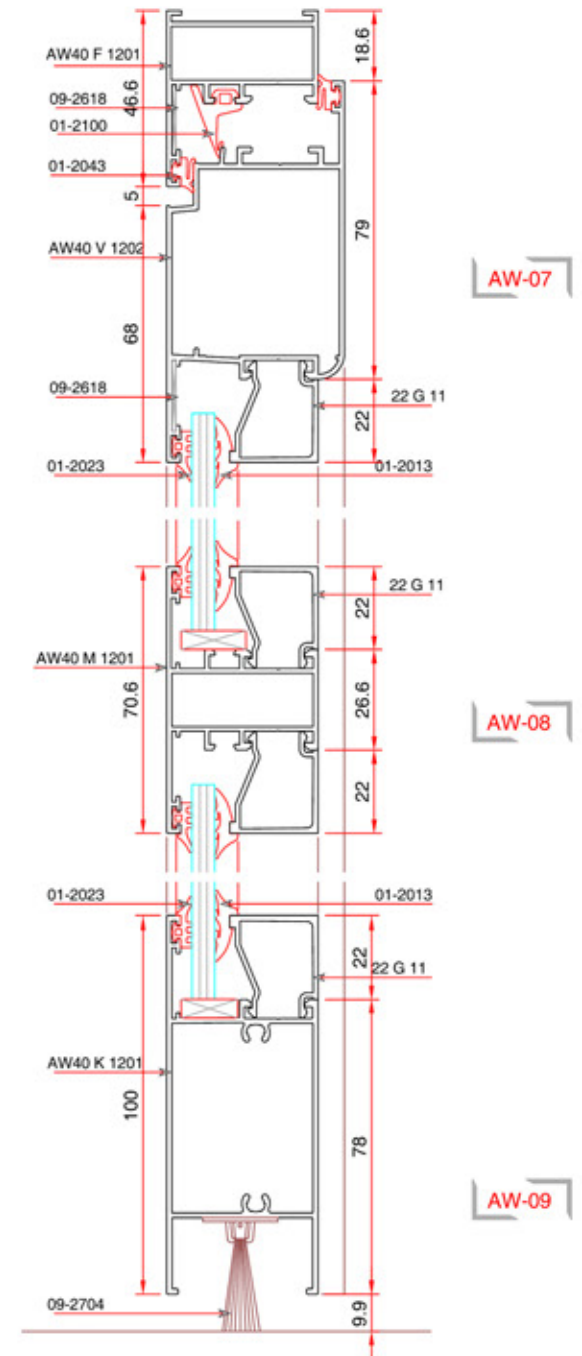


INTERIOR OPENING DOOR VIEW & DETAILS  
İÇE AÇILIR KAPI GÖRÜNÜŞ VE DETAYLARI

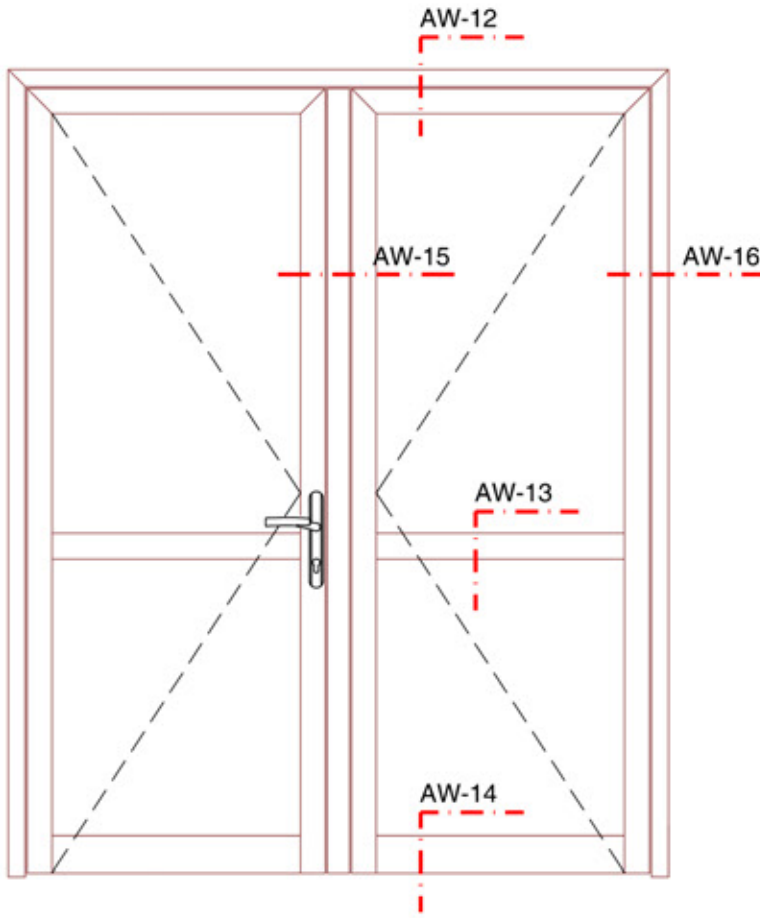


Exterior View - Dış Görünüş

<b>Glass Thickness</b> Cam Kalınlığı	Max. 20 mm
---	------------

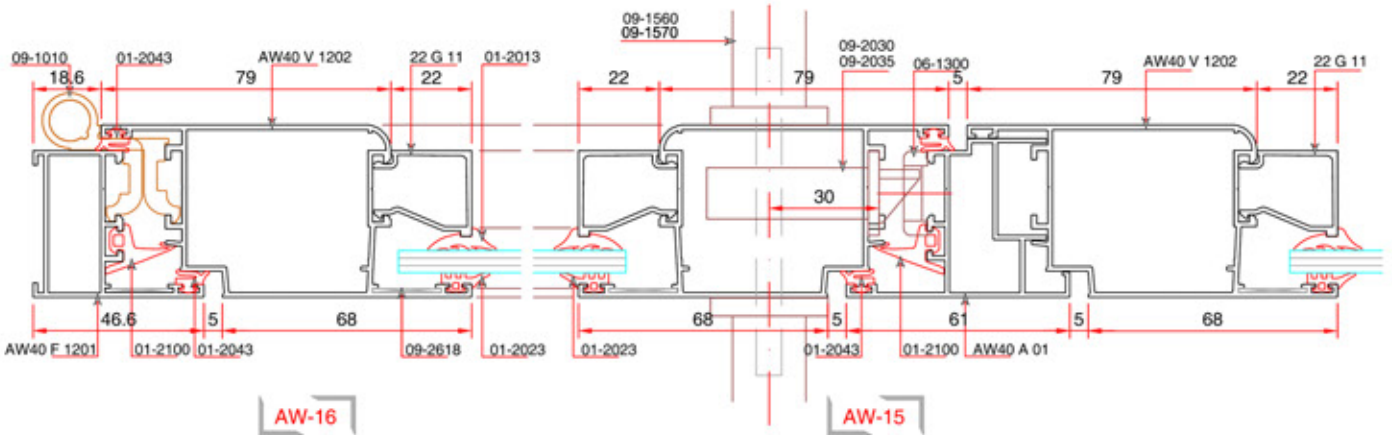
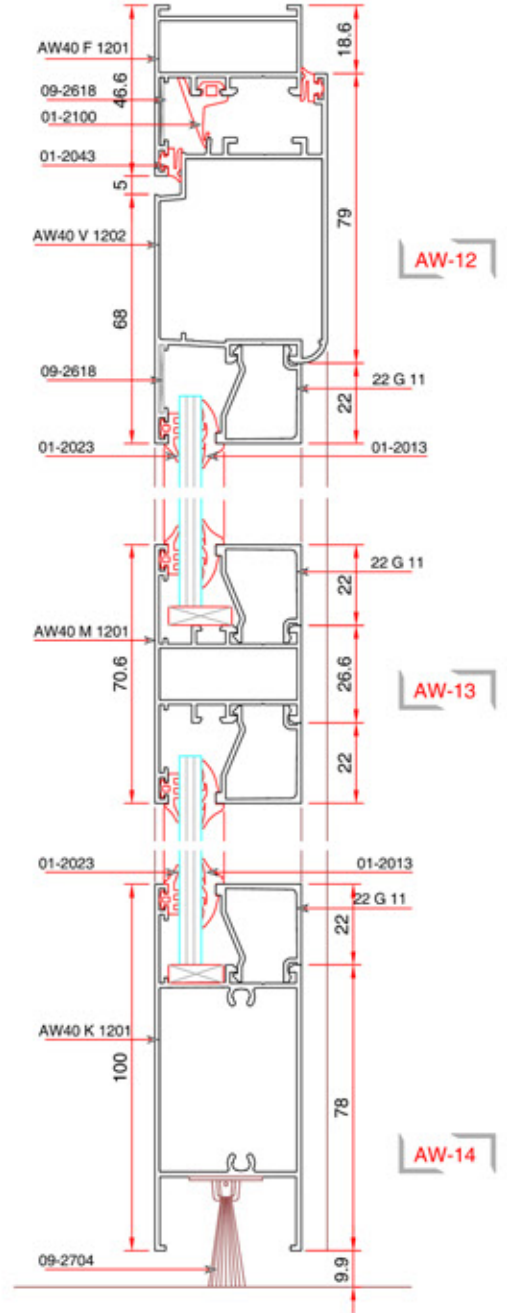


### INTERIOR OPENING DOOR VIEW & DETAILS İÇE AÇILIR KAPI GÖRÜNÜŞ VE DETAYLARI



#### Exterior View - Dış Görünüş

<b>Glass Thickness</b> Cam Kalınlığı	Max. 20 mm
---	------------



Ask for our technical catalogue to see more details about our products and to use our systems correctly

Ürünlerimize ait daha fazla detay görebilmek ve sistemlerin doğru olarak kullanılabilmesi için teknik kataloğumuzdan temin ediniz.

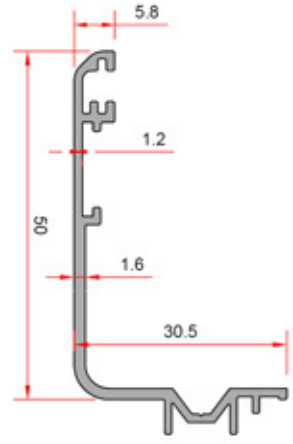


ALCAS®

ALCAS®

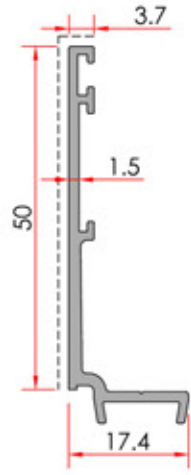


» GENERAL PROFILES & ACCESSORIES  
GENEL PROFİLLER VE AKSESUARLAR



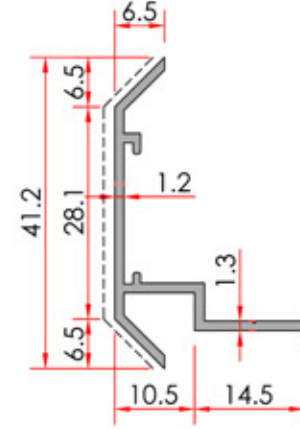
Window Sill  
Pervaz Profili

System Code	Profile No	Weight kg/m
1443	1443	0.407



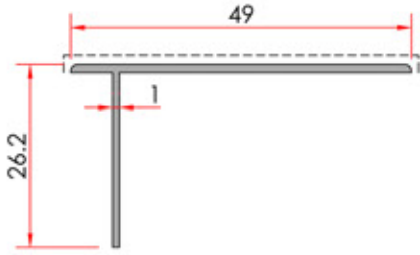
Window Sill  
Pervaz Profili

System Code	Profile No	Weight kg/m
AW50 A 12	1359	0.362



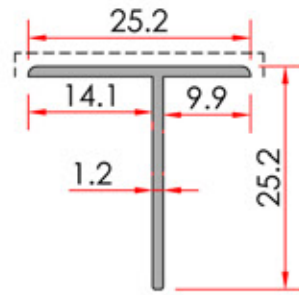
Window Sill  
Pervaz Profili

System Code	Profile No	Weight kg/m
AW50 A 13	1458	0.268



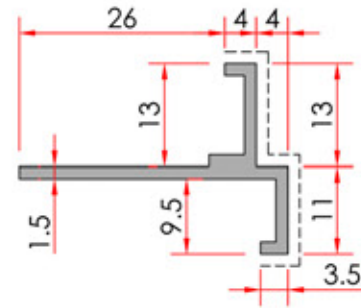
Sill Profile - T  
Pervaz- T- Profili

System Code	Profile No	Weight kg/m
2815	2815	0.232



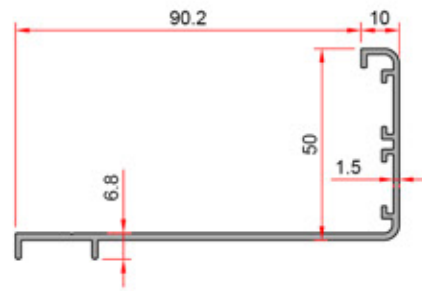
Sill Profile - T  
Pervaz- T- Profili

System Code	Profile No	Weight kg/m
1874	1874	0.161



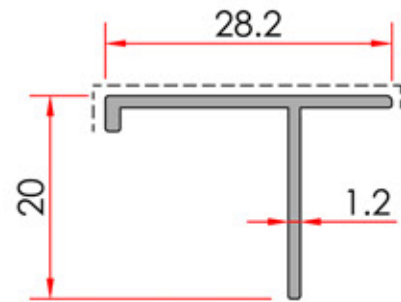
Sill Profile - T  
Pervaz- T- Profili

System Code	Profile No	Weight kg/m
2147	2147	0.274



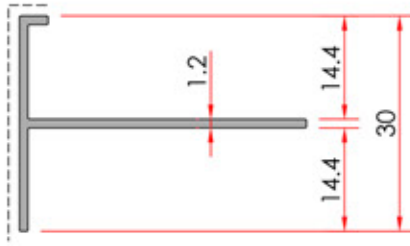
Window Sill  
Pervaz Profili

System Code	Profile No	Weight kg/m
4288	4288	0.860



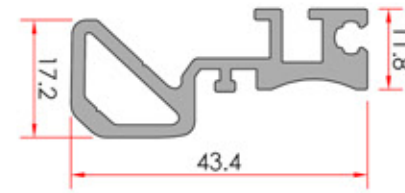
Sill Profile - T  
Pervaz- T- Profili

System Code	Profile No	Weight kg/m
2844	2844	0.166



Sill Profile - T  
Pervaz- T- Profili

System Code	Profile No	Weight kg/m
4284	4284	0.239



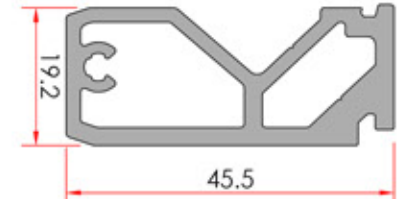
Corner Cleat  
Köşe Takozu

System Code	Profile No	Weight kg/m
1905	1905	0.717



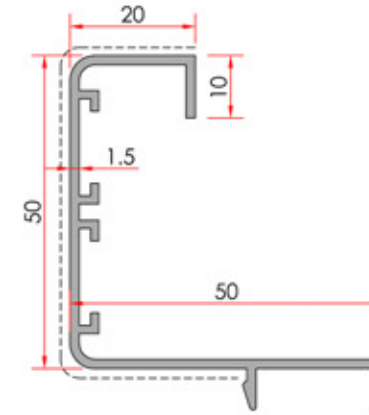
Meeting Rail Connection  
Orta Kayıt Bağlantı

System Code	Profile No	Weight kg/m
1323	1323	0.613



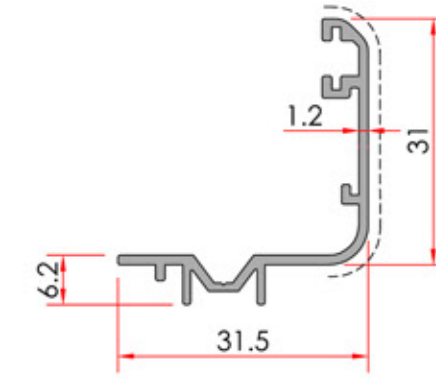
Meeting Rail Connection  
Orta Kayıt Bağlantı

System Code	Profile No	Weight kg/m
1324	1324	1.011



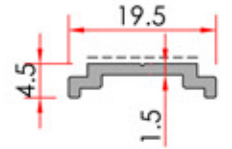
Sill Profile  
Pervaz Profili

System Code	Profile No	Weight kg/m
AW50 A 11	1237	0.668



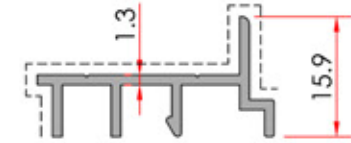
Sill Profile  
Pervaz Profili

System Code	Profile No	Weight kg/m
AS50 A 06	1428	0.308



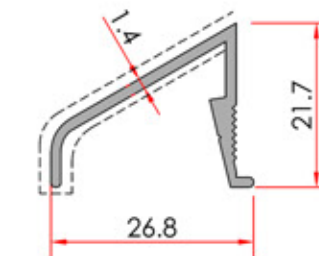
Stem  
Tij

System Code	Profile No	Weight kg/m
AW50 A 10	1375	0.106



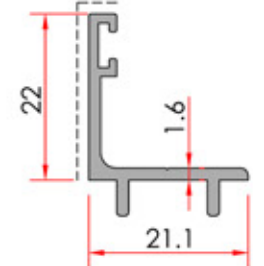
Outward Opening Fixed Adapter  
Dışa Açılır Sabit Adaptör

System Code	Profile No	Weight kg/m
AW50 A 08	1317	0.241



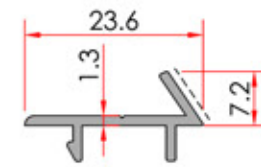
Drainage  
Damlalık

System Code	Profile No	Weight kg/m
AW50 A 09	1321	0.234



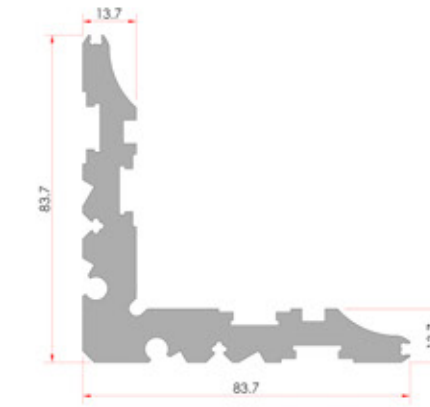
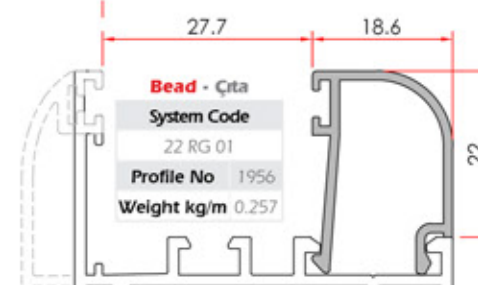
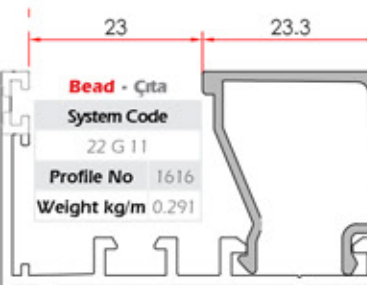
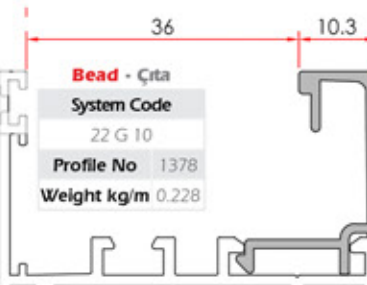
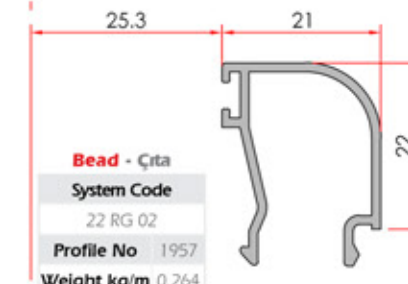
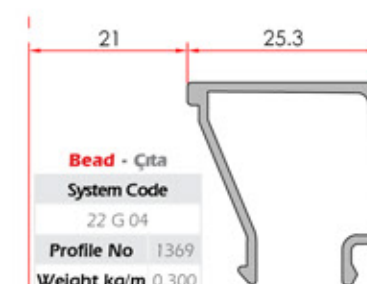
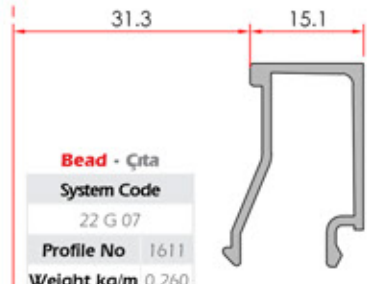
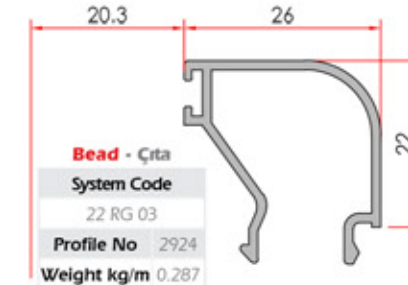
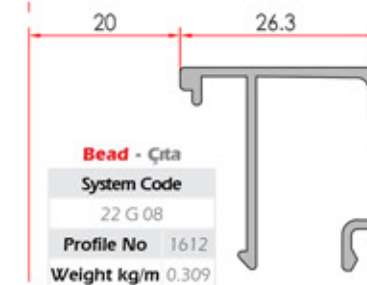
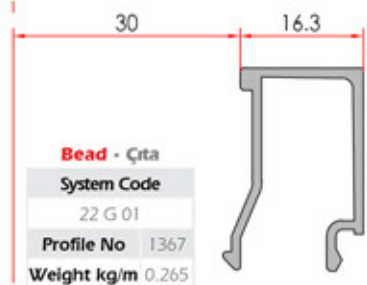
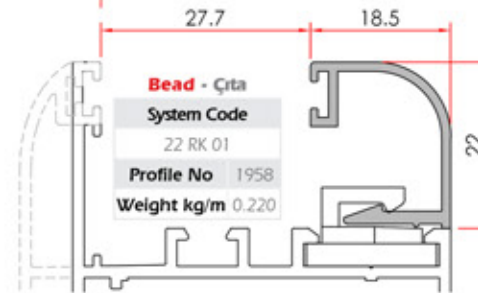
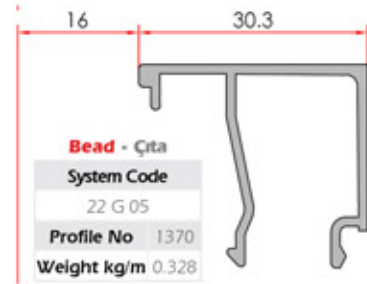
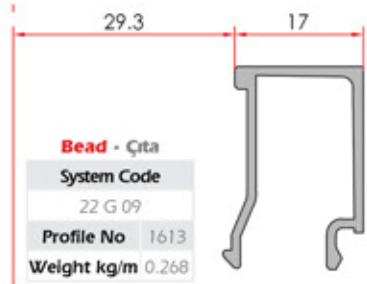
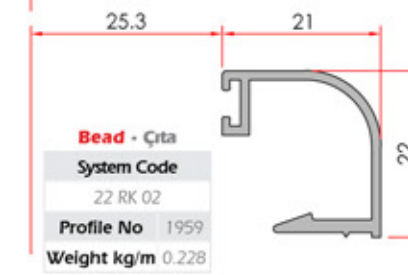
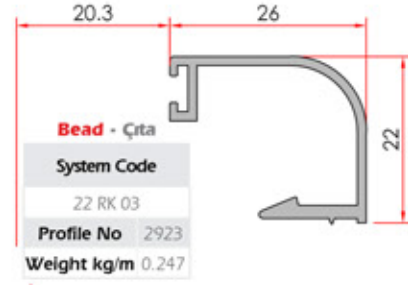
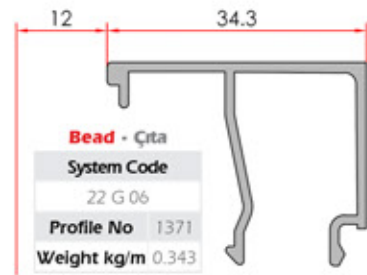
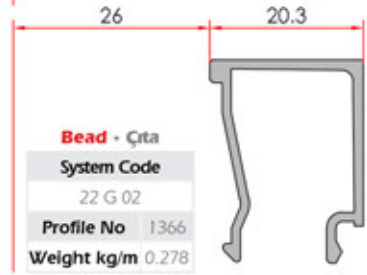
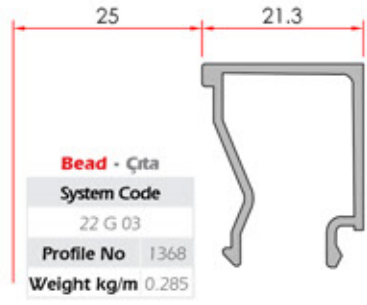
Corner Cleat  
İlave Kulak

System Code	Profile No	Weight kg/m
AWD 60 A 05	1610	0.244



Corner Cleat  
İlave Kulak

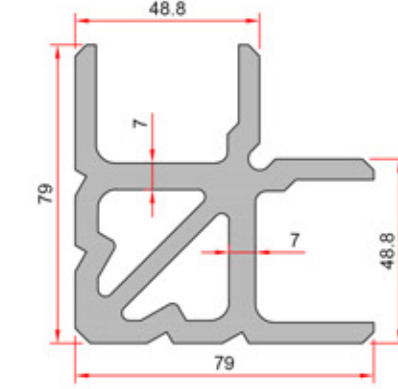
System Code	Profile No	Weight kg/m
AS50 A 01	1318	0.143



**Corner Cleat Köşe Takozu**

Profile No	Weight kg/m
1328	3.977

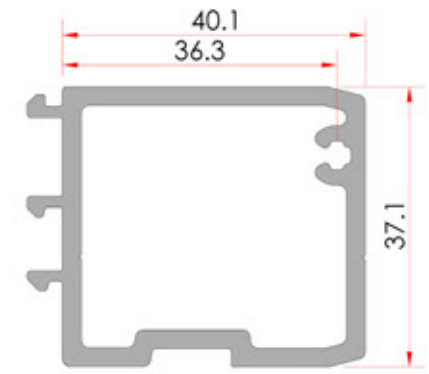
Aksesuar Kodu	Profil Kodu
AKB-1328-37	AW40 F 1201 (2772)
	AW40 F 1202 (1791)
	AW40 M 1201 (2773)
	AW40 F 1201 (2771)



**Corner Cleat Köşe Takozu**

Profile No	Weight kg/m
1963	5.752

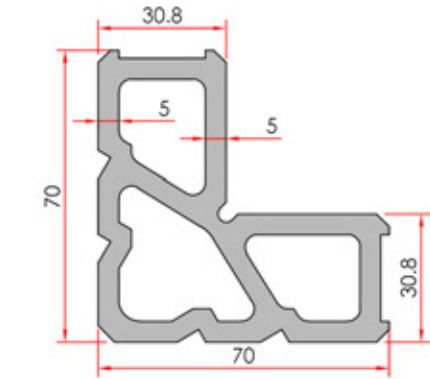
Aksesuar Kodu	Profil Kodu
AKB-1963-37	AW40 V 1202 (1740)



**Meeting Rail Connection Orta Kayıt Bağlantı**

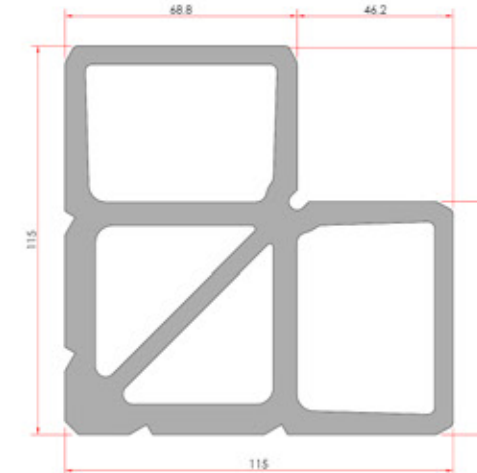
Profile No	Weight kg/m
1625	1.194

Aksesuar Kodu	Profil Kodu
AOB-1625-13.8	AW40 M 1201 (2773)



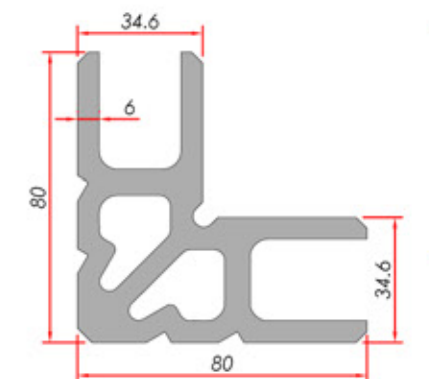
**Corner Cleat Köşe Takozu**

System Code	Profile No	Weight kg/m
1329	1329	4.388



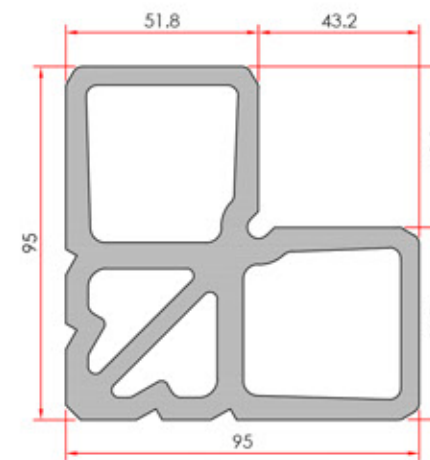
**Corner Cleat Köşe Takozu**

System Code	Profile No	Weight kg/m
1327	1327	12.021



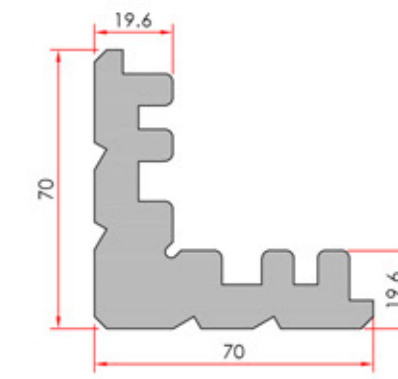
**Corner Cleat Köşe Takozu**

System Code	Profile No	Weight kg/m
1618	1618	5.853



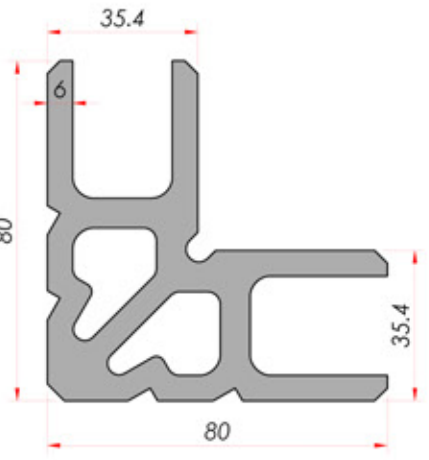
**Corner Cleat Köşe Takozu**

System Code	Profile No	Weight kg/m
1330	1330	8.130












**Corner Cleat Köşe Takozu**



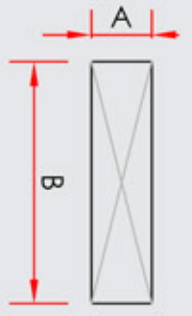
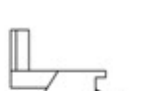



System Code	Profile No	Weight kg/m
1730	1730	5.210



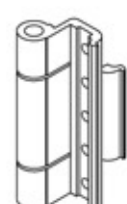


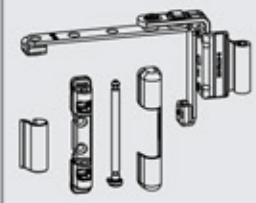
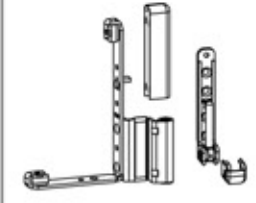


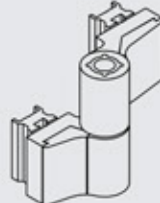
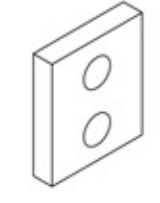
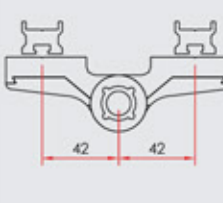




**Corner Cleat Köşe Takozu**

System Code	Profile No	Weight kg/m
1619	1619	5.912


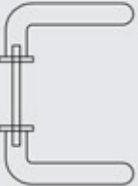

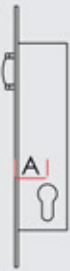
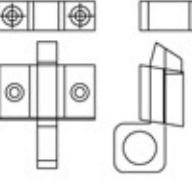
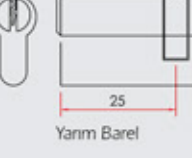
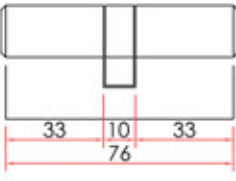
CODE / KOD	ACCESSORIES / AKSESUAR	DESCRIPTION / AÇIKLAMA
01-2005		<b>5 mm Gasket</b> 5 mm Conta 235 mt Koli / Packing
01-2013		<b>3 mm Gasket</b> 3 mm Conta 300 mt Koli / Packing
01-2023		<b>3 mm Gasket</b> 3 mm Conta 375 mt Koli / Packing
01-2027		<b>5.5 mm Gasket</b> 5.5 mm Conta 230 mt Koli / Packing
01-2033		<b>3 mm Gasket</b> 3 mm Bini Conta 375 mt Koli / Packing
01-2043		<b>3 mm Gasket</b> 3 mm Bini Conta 325 mt Koli / Packing
01-2100		<b>Gasket</b> Orta Yalıtım Filti 125-132 mt Koli / Packing
03-2003		<b>Volcanised Gasket</b> Köşe Kaynaklı Filti Pieces / Adet
03-2006		<b>Drainage Caps</b> Tahliye Kapağı Pieces / Adet

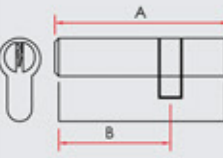





CODE / KOD	ACCESSORIES / AKSESUAR	DESCRIPTION / AÇIKLAMA																								
03-2007		<b>Glazing Bead Clips</b> Cam Çıtası Klipsi Package / Paket 50 Pieces / Adet																								
03-2010 03-2011 03-2012		<b>Plastic Plug 12 mm</b> Montaj Tapası 12 mm 03-2010 White / Beyaz 03-2011 Gray / Gri 03-2012 Brown / Kahverengi																								
03-2082 03-2084 03-2002 03-2203 03-2205 03-2252 03-2253 02-2255 02-2282 02-2283 02-2285	<table border="1"> <thead> <tr> <th>A</th> <th>B</th> </tr> </thead> <tbody> <tr><td>2</td><td>8</td></tr> <tr><td>4</td><td>8</td></tr> <tr><td>2</td><td>20</td></tr> <tr><td>3</td><td>20</td></tr> <tr><td>5</td><td>20</td></tr> <tr><td>2</td><td>25</td></tr> <tr><td>3</td><td>25</td></tr> <tr><td>5</td><td>25</td></tr> <tr><td>2</td><td>28</td></tr> <tr><td>3</td><td>28</td></tr> <tr><td>5</td><td>28</td></tr> </tbody> </table> 	A	B	2	8	4	8	2	20	3	20	5	20	2	25	3	25	5	25	2	28	3	28	5	28	<b>PVC Glazing Cleat</b> Plastik Cam Takozu
A	B																									
2	8																									
4	8																									
2	20																									
3	20																									
5	20																									
2	25																									
3	25																									
5	25																									
2	28																									
3	28																									
5	28																									
05-1003		<b>Part Locking</b> Ayarlı İspanyollet Karşılığı Pieces / Adet																								
06-1300		<b>Locking Plate</b> Makaralı Kilit Karşılığı Pieces / Adet																								
06-1301		<b>Locking Plate</b> Makaralı Kilit Karşılığı Pieces / Adet																								
06-1302		<b>Handle Locking</b> Dilli Kilit Karşılığı Pieces / Adet																								

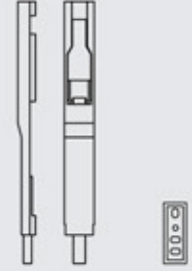
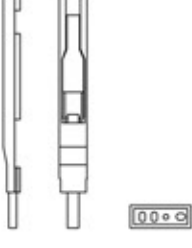
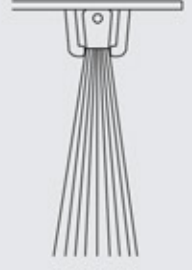
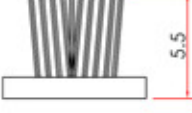

CODE / KOD	ACCESSORIES / AKSESUAR	DESCRIPTION / AÇIKLAMA
06-1303		<b>Handle Locking</b> Makaralı Kilit Karşılığı Pieces / Adet
06-1304		<b>Fixing Locking</b> Kilit Karşılığı Pieces / Adet
09-1010 09-1011 09-1012 09-1013 09-1014		<b>Hinge For Aluminium Canal</b> Pencere Menteşesi (Alüminyum kanal için) 09-1010 Anodized / Eloksoal 09-1011 White / Beyaz 09-1120 Brown / Kahverengi 09-1013 Raw / Ham 09-1014 Special / Özel Renk
09-1020 09-1021 09-1022 09-1023 09-1024		<b>Hinge For PVC Canal</b> Pencere Menteşesi (PVC kanal için) 09-1020 Anodized / Eloksoal 09-1021 White / Beyaz 09-1022 Brown / Kahverengi 09-1023 Raw / Ham 09-1024 Special / Özel Renk
09-1030 09-1031 09-1032		<b>Stell Middle Hinge For Pvc Canal</b> Çelik Orta Menteşe (PVC kanal için) 09-1030 Gray / Gri 09-1031 White / Beyaz 09-1032 Brown / Kahverengi
09-1035 09-1036 09-1037		<b>Stell Top Hinge For Pvc Canal</b> PVC Kanal İçin Çelik Üst Menteşe 09-1035 Gray / Gri 09-1036 White / Beyaz 09-1037 Brown / Kahverengi
09-1040 09-1041 09-1042		<b>Stell Bottom Hinge For Pvc Canal</b> PVC Kanal İçin Çelik Alt Menteşe 09-1040 Gray / Gri 09-1041 White / Beyaz 09-1042 Brown / Kahverengi



CODE / KOD	ACCESSORIES / AKSESUAR	DESCRIPTION / AÇIKLAMA
09-1100 09-1101 09-1102 09-1103 09-1104		<b>Door Hinges</b> Kapı Menteşesi 09-1010 Anodized / Eloksoal 09-1101 White / Beyaz 09-1102 Brown / Kahverengi 09-1103 Raw / Ham 09-1104 Special / Özel Renk
09-1110 09-1111 09-1112 09-1113 09-1114		<b>Door Hinge Plate</b> Kapı Menteşesi Beslemesi 09-1110 Anodized / Eloksoal 09-1111 White / Beyaz 09-1112 Brown / Kahverengi 09-1113 Raw / Ham 09-1114 Special / Özel Renk
09-1120 09-1121 09-1122 09-1123 09-1124		<b>Door Hinges</b> Kapı Menteşesi 09-1120 Anodized / Eloksoal 09-1121 White / Beyaz 09-1122 Brown / Kahverengi 09-1123 Raw / Ham 09-1124 Special / Özel Renk
09-1140 09-1141 09-1142 09-1143 09-1144		<b>Hinge Pivot For AW50-AWR57</b> AW50-AWR57 Pivot Menteşe Anodized / Eloksoal White / Beyaz Brown / Kahverengi Raw / Ham Special / Özel Renk
09-1150 09-1151 09-1152 09-1153 09-1154		<b>33 Nr. Alu. Door Hinge</b> 33 Nr. Alüminyum Çarpma Kapı Menteşe Anodized / Eloksoal White / Beyaz Brown / Kahverengi Raw / Ham Special / Özel Renk
09-1160 09-1161 09-1162 09-1163 09-1164		<b>36 Nr. Alu. Door Hinge</b> 36 Nr. Alüminyum Çarpma Kapı Menteşe Anodized / Eloksoal White / Beyaz Brown / Kahverengi Raw / Ham Special / Özel Renk
09-1500 09-1501 09-1502 09-1503 09-1504		<b>Window Handle (Cremone)</b> Eksantrik İspanyollet Kolu 09-1500 Anodized / Eloksoal 09-1501 White / Beyaz 09-1502 Brown / Kahverengi 09-1503 Raw / Ham 09-2704 Special / Özel Renk

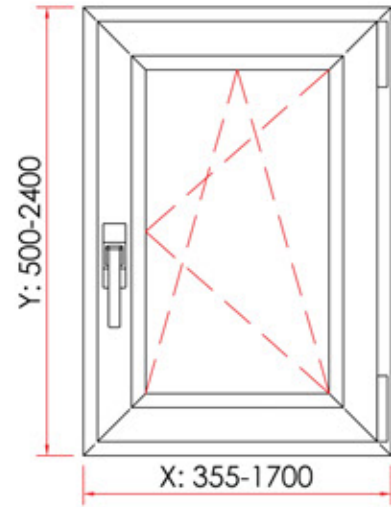


CODE / KOD	ACCESSORIES / AKSESUAR	DESCRIPTION / AÇIKLAMA														
09-1520 09-1521 09-1522 09-1523 09-1524		<b>Window Handle</b> Pencere Kolu <b>09-1520 Anodized / Eloksoal</b> <b>09-1521 White / Beyaz</b> <b>09-1522 Brown / Kahverengi</b> <b>09-1523 Raw / Ham</b> <b>09-1524 Special / Özel Renk</b>														
09-1560 09-1561 09-1562 09-1563 09-1564		<b>Door Handle</b> Kapı Kolu <b>09-1560 Anodized / Eloksoal</b> <b>09-1561 White / Beyaz</b> <b>09-1562 Brown / Kahverengi</b> <b>09-1563 Raw / Ham</b> <b>09-1564 Special / Özel Renk</b>														
09-2020 09-2025 09-2030 09-2035 09-2040 09-2045	 <table border="1"><thead><tr><th>A</th><th>KOD</th></tr></thead><tbody><tr><td>20 mm</td><td>09-2020</td></tr><tr><td>25 mm</td><td>09-2025</td></tr><tr><td>30 mm</td><td>09-2030</td></tr><tr><td>35 mm</td><td>09-2035</td></tr><tr><td>40 mm</td><td>09-2040</td></tr><tr><td>45 mm</td><td>09-2045</td></tr></tbody></table>	A	KOD	20 mm	09-2020	25 mm	09-2025	30 mm	09-2030	35 mm	09-2035	40 mm	09-2040	45 mm	09-2045	<b>Lack With Latch</b> Dilli Kilit Pieces / Adet
A	KOD															
20 mm	09-2020															
25 mm	09-2025															
30 mm	09-2030															
35 mm	09-2035															
40 mm	09-2040															
45 mm	09-2045															
09-2220 09-2225 09-2230 09-2235 09-2240 09-2245	 <table border="1"><thead><tr><th>A</th><th>KOD</th></tr></thead><tbody><tr><td>20 mm</td><td>09-2220</td></tr><tr><td>25 mm</td><td>09-2225</td></tr><tr><td>30 mm</td><td>09-2230</td></tr><tr><td>35 mm</td><td>09-2235</td></tr><tr><td>40 mm</td><td>09-2240</td></tr><tr><td>45 mm</td><td>09-2245</td></tr></tbody></table>	A	KOD	20 mm	09-2220	25 mm	09-2225	30 mm	09-2230	35 mm	09-2235	40 mm	09-2240	45 mm	09-2245	<b>Lock With Roller</b> Makaralı Dilli Kilit Pieces / Adet
A	KOD															
20 mm	09-2220															
25 mm	09-2225															
30 mm	09-2230															
35 mm	09-2235															
40 mm	09-2240															
45 mm	09-2245															
09-2400		<b>Spring Catch</b> Çarpma Kilit Pieces / Adet														
09-2540	 <p>25 Yarım Barel</p>	<b>Lock Half Cylinder</b> Yarım Barel Pieces / Adet														
09-2576	 <p>33 10 33 76</p>	<b>AWD60</b> <b>Symmetrical Barel</b> Sımetrik Barel Pieces / Adet														

CODE / KOD	ACCESSORIES / AKSESUAR	DESCRIPTION / AÇIKLAMA												
09-2575 09-2585 09-2590	 <table border="1"><thead><tr><th>KOD</th><th>A</th><th>B</th></tr></thead><tbody><tr><td>09-2575</td><td>75 mm</td><td>40 mm</td></tr><tr><td>09-2585</td><td>85 mm</td><td>50 mm</td></tr><tr><td>09-2590</td><td>90 mm</td><td>55 mm</td></tr></tbody></table>	KOD	A	B	09-2575	75 mm	40 mm	09-2585	85 mm	50 mm	09-2590	90 mm	55 mm	<b>Lock Cylinder</b> Asimetrik Barel Pieces / Adet
KOD	A	B												
09-2575	75 mm	40 mm												
09-2585	85 mm	50 mm												
09-2590	90 mm	55 mm												
09-2604		<b>4.8 mm Alignment Corner</b> 4.8 mm Köşe Gönye Pieces / Adet												
09-2609		<b>9.3 mm alignment corner</b> 9.3 mm Köşe Gönye Pieces / Adet												
09-2615		<b>18.2 mm Alignment Corner</b> 18.2 mm Köşe Gönye Pieces / Adet												
09-2618		<b>18.2 mm Alignment Corner</b> 18.2 mm Köşe Gönye Pieces / Adet												
09-2700		<b>Locking port</b> İsparyolet Pimi Seti Pieces / Adet												

CODE / KOD	ACCESSORIES / AKSESUAR	DESCRIPTION / AÇIKLAMA
09-2702		<b>Supporting Latch</b> Çift Kanat Sürgü Pieces / Adet
09-2703		<b>Supporting Latch (Short)</b> Çift Kanat Sürgü (Kısa) Pieces / Adet
09-2704		<b>Strip Brush</b> Kapı Altı Firçası Pieces / Adet
09-2855	 <p>5.5</p>	<b>5.5 Gasket</b> 5.5 Kıl Fritil Meter / Metre
09-3100		<b>Aluminium Awning Window Arm</b> Vasistas Makas - Alüminyum Pieces / Adet

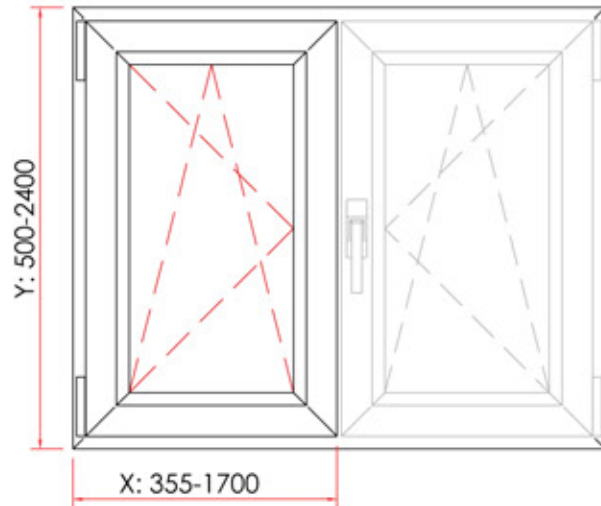
CODE / KOD	ACCESSORIES / AKSESUAR	DESCRIPTION / AÇIKLAMA																				
09-3101		<b>Stainless Awning Window Arm</b> Vasistas Makas - Paslanmaz Pieces / Adet																				
09-5073 09-5074 09-5075 09-5076 09-5077 09-5078 09-5079 09-5080 09-5081	 <table border="1"><thead><tr><th>L</th><th>CODE / KODE</th></tr></thead><tbody><tr><td>400</td><td>09-5073</td></tr><tr><td>600</td><td>09-5074</td></tr><tr><td>800</td><td>09-5075</td></tr><tr><td>1000</td><td>09-5076</td></tr><tr><td>1200</td><td>09-5077</td></tr><tr><td>1400</td><td>09-5078</td></tr><tr><td>1600</td><td>09-5079</td></tr><tr><td>1800</td><td>09-5080</td></tr><tr><td>2000</td><td>09-5081</td></tr></tbody></table>	L	CODE / KODE	400	09-5073	600	09-5074	800	09-5075	1000	09-5076	1200	09-5077	1400	09-5078	1600	09-5079	1800	09-5080	2000	09-5081	
L	CODE / KODE																					
400	09-5073																					
600	09-5074																					
800	09-5075																					
1000	09-5076																					
1200	09-5077																					
1400	09-5078																					
1600	09-5079																					
1800	09-5080																					
2000	09-5081																					



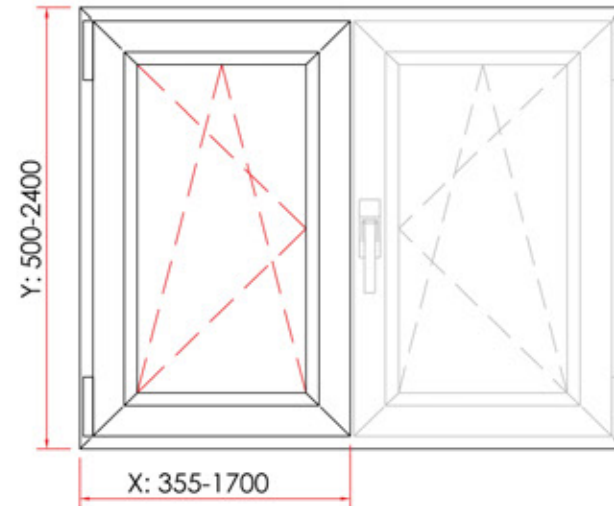
ALUMINIUM DOUBLE OPENING MECHANISM ALÜMİNYUM ÇİFT AÇILIM MEKANİZMASI					
SIZE / ÖLÇÜLER	WIDTH / GENİŞLİK				
HEIGHT / YÜKSEKLİK	410-700	701-1000	1001-1200	1201-1350	1351-1700
500 - 1200	09-5000	09-5001	09-5002	09-5003	09-5004
1201 - 2400	09-5005	09-5006	09-5007	09-5008	09-5009



TILT-TURN WINDOWS FOR PVC / PVC ÇİFT AÇILIM MEKANİZMASI						
SIZE / ÖLÇÜLER	WIDTH / GENİŞLİK					
HEIGHT / YÜKSEKLİK	401-500	501-750	751-950	951-1200	1201-1450	1451-1600
450 - 590	09-5100	09-5101	09-5102	09-5103	09-5104	09-5105
591 - 750	09-5106	09-5107	09-5108	09-5109	09-5110	09-5111
751-1200	09-5112	09-5113	09-5114	09-5115	09-5116	09-5117
1201-1450	09-5118	09-5119	09-5120	09-5121	09-5122	09-5123
1451-1950	09-5124	09-5125	09-5126	09-5127	09-5128	09-5129
1951-2450	09-5130	09-5131	09-5132	09-5133	09-5134	09-5135



TILT-TURN WINDOWS FOR ALUMINIUM ALÜMİNYUM ÇİFT KANAT ÇİFT AÇILIM MEKANİZMASI					
SIZE / ÖLÇÜLER	WIDTH / GENİŞLİK				
HEIGHT / YÜKSEKLİK	410-700	701-1000	1001-1200	1201-1350	1351-1700
500-1200	09-5250	09-5251	09-5252	09-5253	09-5254
1201-2400	09-5255	09-5256	09-5257	09-5258	09-5259



TILT-TURN WINDOWS FOR PVC PVC ÇİFT KANAT ÇİFT AÇILIM MEKANİZMASI				
SIZE / ÖLÇÜLER	WIDTH / GENİŞLİK			
HEIGHT / YÜKSEKLİK	280-750	751-950	951-1200	1201-1600
470-720	09-5140	09-5141	09-5142	09-5143
721-850	09-5144	09-5145	09-5146	09-5147
851-1100	09-5148	09-5149	09-5150	09-5151
1101-1350	09-5152	09-5153	09-5154	09-5155
1351-1600	09-5156	09-5157	09-5158	09-5159
1601-1850	09-5160	09-5161	09-5162	09-5163
1851-2100	09-5164	09-5165	09-5166	09-5167
2101-2350	09-5168	09-5169	09-5170	09-5171

ALUMINIUM PARALLEL SLIDE & TILT 130 KG ALÜMİNYUM PARALEL ÇEK SÜR 130 KG					
SIZE / ÖLÇÜLER	WIDTH / GENİŞLİK				
HEIGHT / YÜKSEKLİK	600-850	851-1100	1001-1350	1351-1600	1601-1850
730-2400	09-5010	09-5011	09-5012	09-5013	---

ALUMINIUM PARALLEL SLIDE & TILT 150 KG ALÜMİNYUM PARALEL ÇEK SÜR 150 KG					
SIZE / ÖLÇÜLER	WIDTH / GENİŞLİK				
HEIGHT / YÜKSEKLİK	600-850	851-1100	1001-1350	1351-1600	1601-1850
895-1200	09-5014	09-5015	09-5016	09-5017	---
1200-2400	09-5018	09-5019	09-5020	09-5021	---

ALUMINIUM PARALLEL SLIDE & TILT 200 KG ALÜMİNYUM PARALEL ÇEK SÜR 200 KG					
SIZE / ÖLÇÜLER	WIDTH / GENİŞLİK				
HEIGHT / YÜKSEKLİK	600-850	851-1100	1001-1350	1351-1600	1601-1850
895-1200	09-5022	09-5023	09-5024	09-5025	09-5026
1200-2400	09-5027	09-5028	09-5029	09-5030	09-5031

ALUMINIUM FOLDING DOOR 80 KG / ALÜMİNYUM KATLANIR KAPI 80 KG			
	ŞEMA	RAY	KOD
3 Kanat [2 Kanat Bir Yöne - 1 Kanat Ayn]	321	3 mt	09-5051
3 Kanat [Tek Yöne Toplanır]	330	3 mt	09-5052
4 Kanat [3 Kanat Bir Yöne - 1 Kanat Ayn]	431	4 mt	09-5053
5 Kanat [4 Kanat Bir Yöne - 1 Kanat Ayn Yöne]	541	5 mt	09-5054
5 Kanat [3 Kanat Bir Yöne - 2 Kanat Ayn Yöne]	532	5 mt	09-5055
5 Kanat [Tek Yöne Toplanır]	550	5 mt	09-5056
6 Kanat [3 Kanat Bir Yöne - 3 Kanat Ayn Yöne]	633	6.7 mt	09-5057
6 Kanat [5 Kanat Bir Yöne - 1 Kanat Ayn Yöne]	651	6.7 mt	09-5058
7 Kanat [4 Kanat Bir Yöne - 3 Kanat Ayn Yöne]	743	6.7 mt	09-5059
7 Kanat [6 Kanat Bir Yöne - 1 Kanat Ayn]	761	6.7 mt	09-5060
7 Kanat [Tek Yöne Toplanır]	770	6.7 mt	09-5061

**ISO 9001 SERTİFİKASI**



**QUALICOAT SERTİFİKASI**



**QUALANOD SERTİFİKASI**



**IATF 16949 SERTİFİKASI**



**TSE HASSAS PROFİLLER BELGESİ**



**TSE YÜZEY İŞLEM BELGESİ**



**TSE İMALATI YETERLİLİK BELGESİ**



**ISO 14001**



**OHSAS 18001 BELGESİ**



**FABRİKA ÜRETİM UYGUNLUK**



**CE BELGESİ**



**GOST-R SERTİFİKASI**



# ALCAS®

ALUMINIUM PROFILE SYSTEMS

444 36 44

alcas@alcas.com.tr

www.alcas.com.tr

Kaya Milenium Plaza Kat 7 No:139 Beykent / İstanbul +90212 871 1771

Velimeşe Islah OSB 129.Sok.11/1 Ergene / Tekirdağ +90282 6745175

alcasmetal

alcasaluminyum

alcasmetal

alcasmetal

alcasmetal



All designs, profiles and accessories listed in this catalog are © copyrighted and ® registered products. May not be copied, altered or posted online by any means.  
Bu katalogta yer alan tasarımlar, profiller ve aksesuarlar tescilli ve patentli ürünlerimizdir. Hiçbir şekilde kopyalanamaz ve taklit edilemez.

*Dünyanın yeni profil sistemi*

